

T I R E T

---

C L A S S I Q



**Instructions Manual**

# INTRODUCTION

Tiret is pleased you have chosen this prestige timepiece. Our interest is in creating luxury goods individualized for our clientele.

Preferred materials used to create each Tiret timepiece include exquisite fancy colored diamonds, brilliant white diamonds, and precious metals.

The customized parts and movements used honor the established tradition of fine Swiss watchmaking and are detailed, engraved and tailored to our specifications. Precision and elegance are inherent to each model.

Daniel Lazar established Tiret with its launch in 2004. Each uniquely shaped model and every detail have been conceptualized by Daniel and produced by experts in haute horology resulting in elegance and precision dressed in superior craftsmanship.

Tiret represents an emotional relation to time. Each Tiret model is designed to complement the exclusive lifestyle of its owner. Enjoy your Tiret New York product and let the design be as individual as you.

## INTRODUCTION

Tiret timepieces undergo strict precision and quality testing in accordance with the highest standards in the Swiss watchmaking industry. As well, extreme care is taken with each individual timepiece to verify its water resistance capability.

Diamonds selected to adorn the dial, watchcase, bezel and clasp are specifically cut and fitted exclusively for our product using the finest handcraftsmanship and state of the art machinery.

The Tiret warranty is valid only if the serial number imprinted on the watch casing is clearly legible and no part of the original watch has been removed, changed, altered, replaced, erased, or defaced in any way. Failure of the foregoing conditions voids all rights resulting from your Tiret warranty.

For cleaning, repair or battery replacement, please contact the retail location from where you made your purchase.

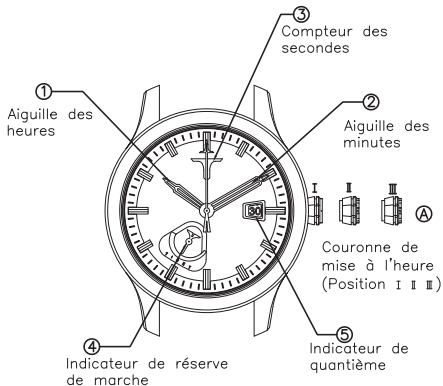
Your new Tiret timepiece is a statement of unique modern design, exquisite artisanship and Swiss precision. We trust it will bring you complete satisfaction.

SWISS MOVEMENT ETA 2897

## Mode d'emploi

Affichage

Aiguilles de la montre



## Bedienungsanleitung

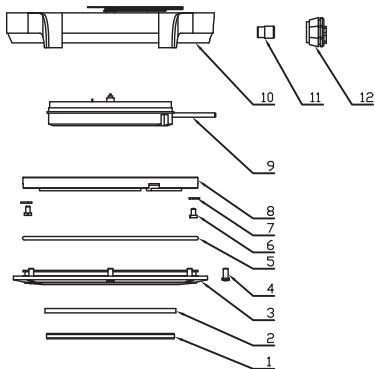
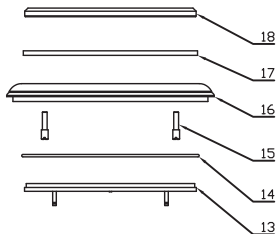
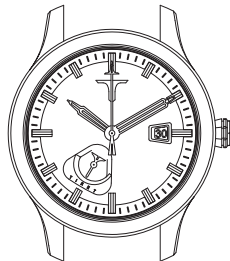
Anzeige  
Uhrzeiger

- Ⓐ—Stellirone position I II III
- ①—Stundenzeiger
- ②—Minutenzeiger
- ③—Zähler 60 sekunden
- ④—Energie reserveanzeige
- ⑤—Datumsanzeige

## User instructions

Display  
Watch hands

- Ⓐ—Setting crown position
- ①—Hour hand
- ②—Minute hand
- ③—Second hand
- ④—Power reserve indicator
- ⑤—Date indicator



18	1	TOP GLASS
17	1	TOP I-RING
16	1	BEZEL
15	4	SCREW
14	1	O-RING
13	1	DIAL
12	1	CROWN
11	1	TUBE
10	1	CASE
9	1	ETA 2897
8	1	HOLDER
7	3	HOLDER LOCK
6	3	SCREW
5	1	O-RING
4	6	SCREW
3	1	BACK
2	1	BACK I-RING
1	1	BACK GLASS

TIRET Classiq is not recommended for water related activities. These are not sport or dive timepieces.

It is suggested to contact your Tiret point of sale to discuss when to schedule maintenance for your timepiece.

Please note that a timepiece is an instrument wherein its parts run best when maintained.

## WARRANTY

Your Tiret timepiece is warranted for an unlimited period against any manufacturing defects subject to the following conditions: any part found by our technical service to be defective as a result of a manufacturing fault will be repaired or replaced free of charge by Tiret. However, after the first 24 months from the date of purchase, the labor cost of any repair or replacement will be charged to you whether or not the replacement part is supplied under the terms of this Limited Warranty.

The Certificate located at the front of the booklet should be completely filled out, dated, stamped and signed by an authorized Tiret dealer. Please be certain to retain this Certificate.

Except to the extent prohibited by applicable law, this Limited Warranty shall be the exclusive manufacture warranty. Neither this Limited Warranty, with respect to the labor cost, nor any other warranties, expressed or implied, including any implied warranty of merchantability or if fitness for a particular purpose, shall extend beyond the period of 24 months from the date of purchase. The liability of Tiret is limited solely and exclusively to repair or replacement as stated in the present booklet. Tiret shall not be liable, by virtue of this Limited Warranty or otherwise, for any loss or damage arising out of the use of or the inability to use this timepiece or for any incidental or consequential damages relating in any way to this timepiece.

# WARRANTY

This Limited Warranty does not cover:

- damage resulting from accidents, mishandling or abusive use (for example, knocks, dents or crushing)
- unauthorized alteration or repair
- unauthorized manipulation of the bezel
- unauthorized manipulation of the diamonds, rare stones and decorative applications
- the consequences of normal wear and aging of the timepiece or of the choice of strap, bracelet
- loss of water-resistance after 24 months from the date of purchase





For more information, please visit  
[www.worldoftiret.com](http://www.worldoftiret.com)



[www.worldoftiret.com](http://www.worldoftiret.com)